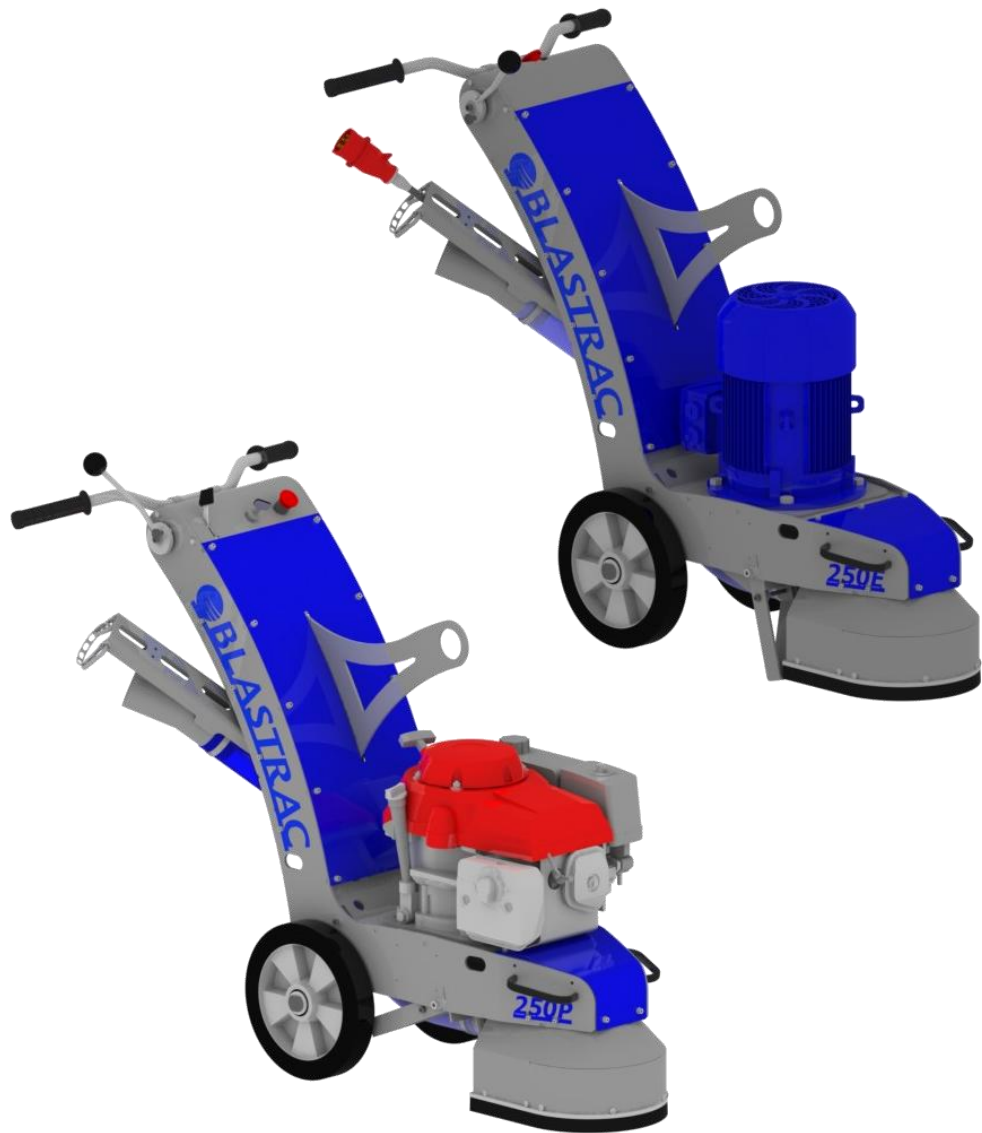




# ***BG-250E & BG-250P***

*Version 1.2*

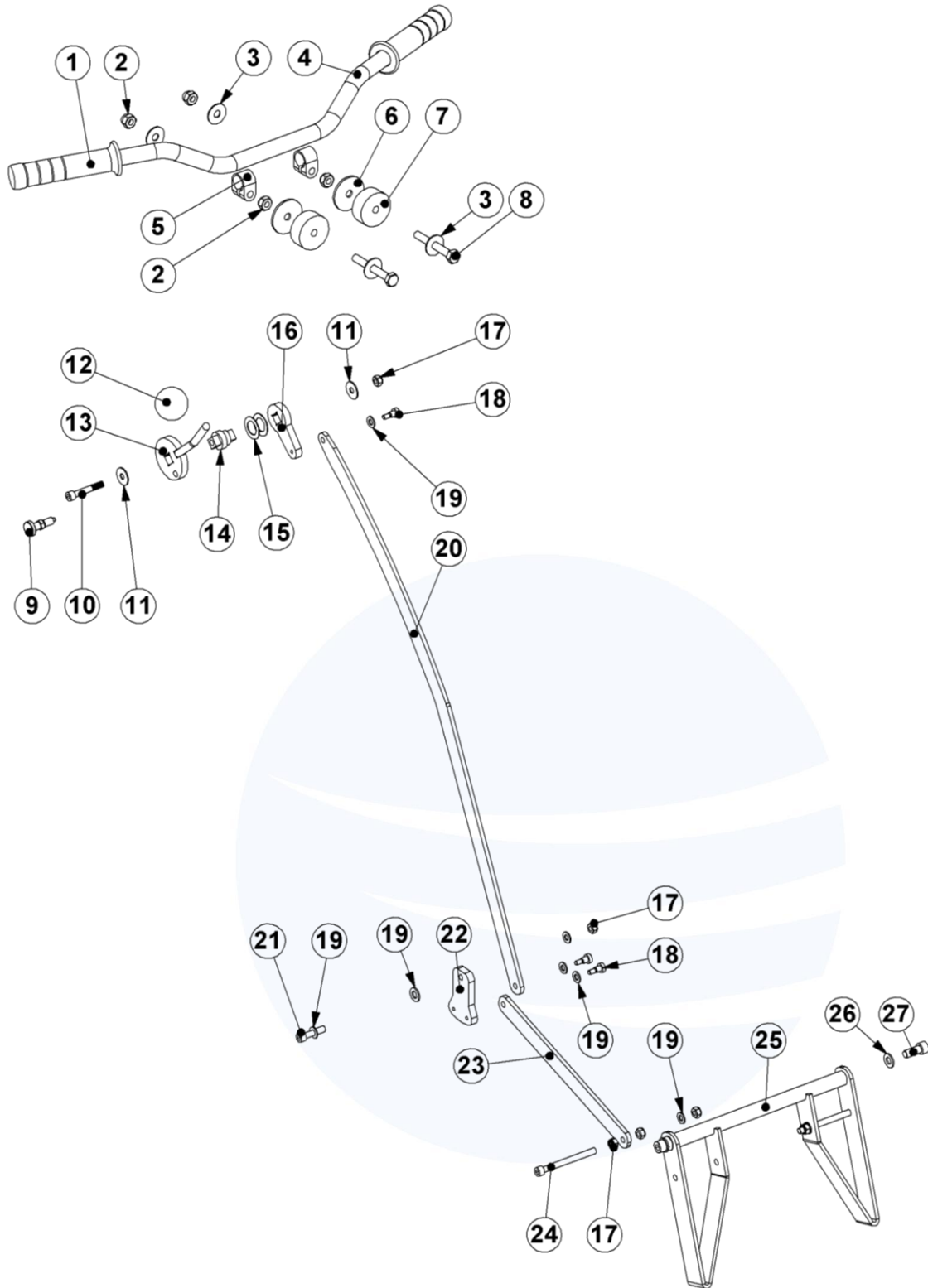


## Index

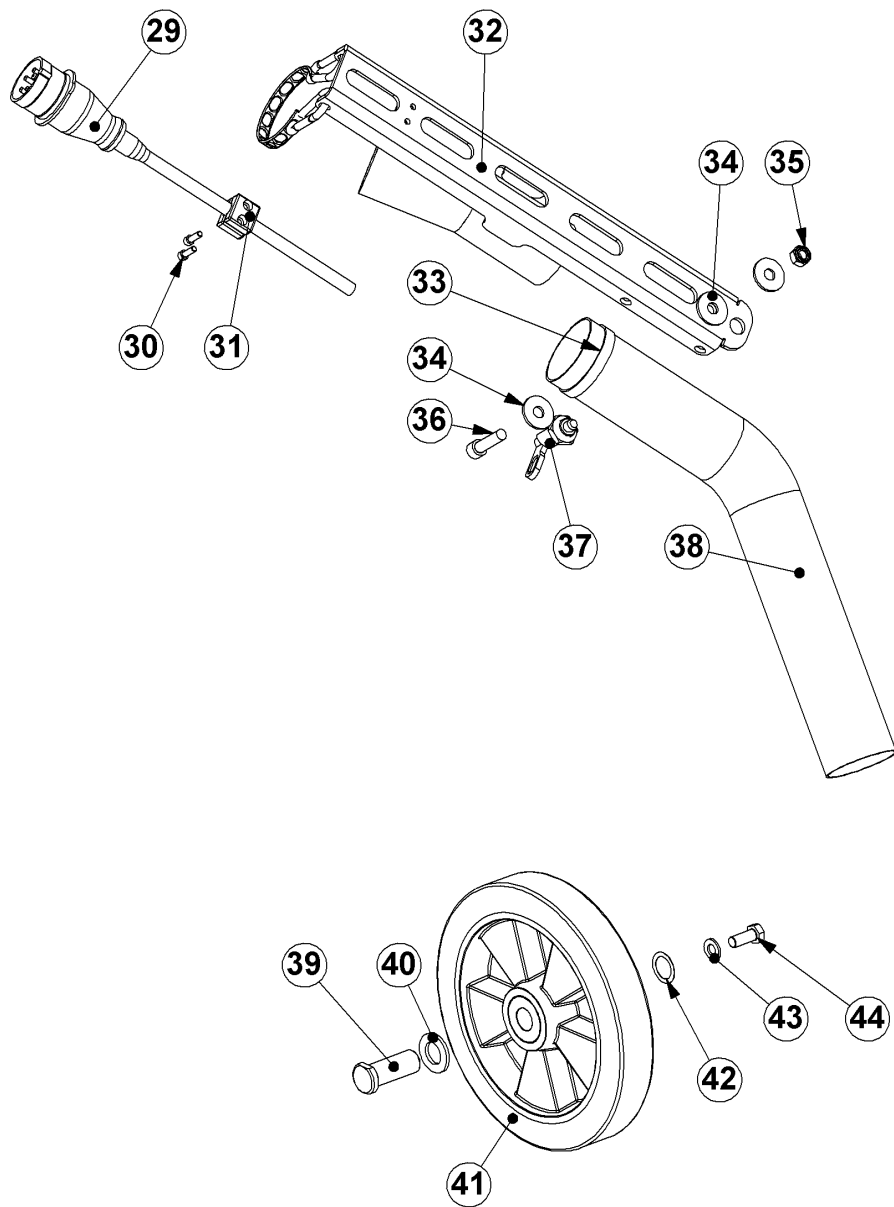
<b>1. Spare parts</b>			03
<b>2. Electric schedules</b>			
Electric circuit diagram E07396/7	BG-250G – 13HP		13
Layout and Device Settings P005084	BG-250E		16



**1. Spare parts**

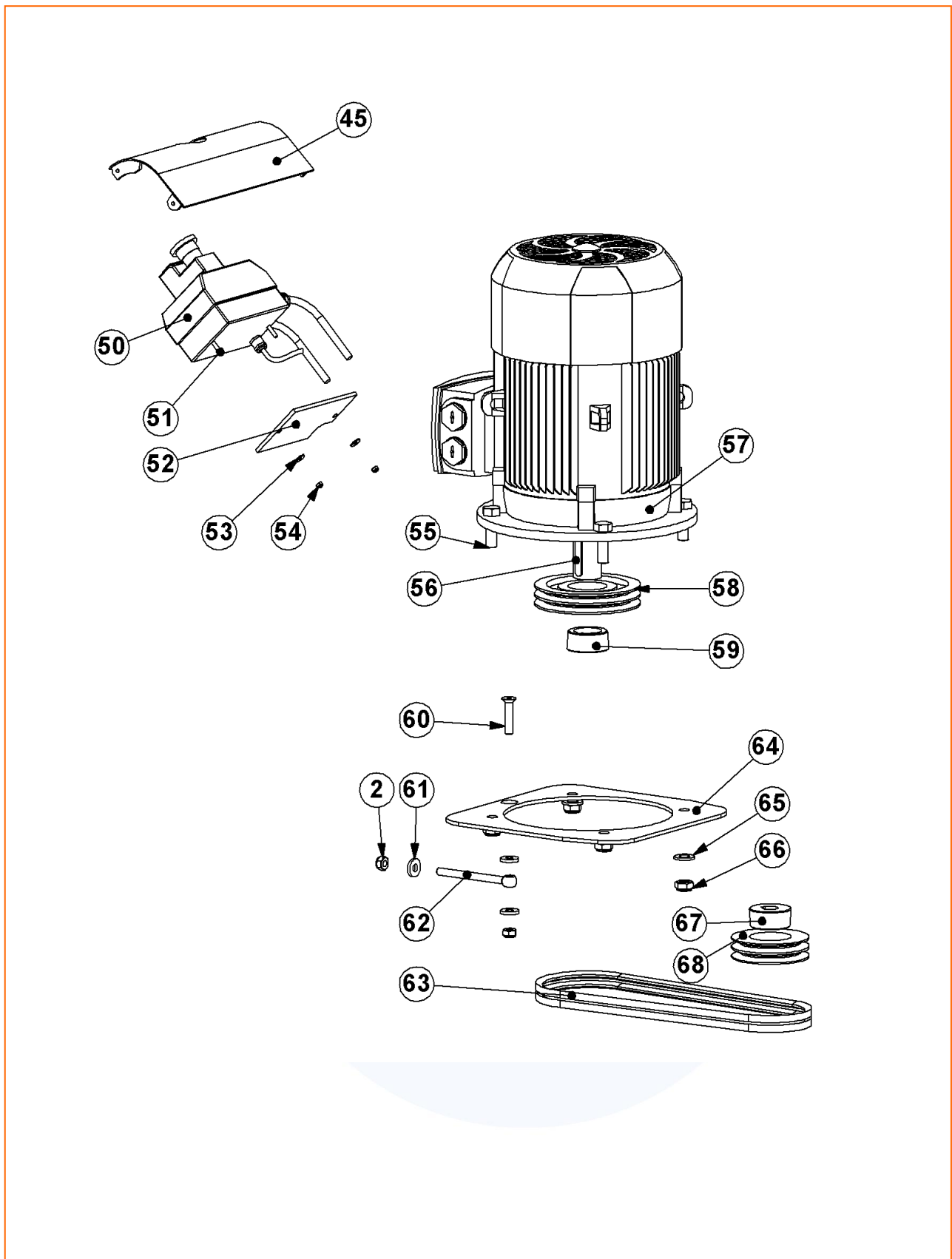


Item	Part number	Description	Remarks	Qty.
1	DG44	Grip rubber		2
2	BE0002	M10 domed cap nut	DIN 1587	2
3	BE0062	M10x30x1.5 washer		4
4	DG31	Steering handle		1
5	DG31/1	Steering handle clamp		2
6	BE0063	M10x50x3 washer		2
7	E03262	Vibration absorber		2
8	BE0371	M10x80 hexagon bolt	DIN 933	2
9	001171	Plunger		1
10	BE0439	M8x50 inbus bolt	DIN 912	1
11	BE0318	M8x25x1.5 washer		
12	E07346	Handle lever		1
13	E03365_2	M10 knob		1
14	E07348	Lever shaft		1
15	BE0060	Shim 20x32x1	DIN 988	2
16	E07349	Lever		1
17	BE0048	M8 lock nut	DIN 985	4
18	BE0642	M6 8x8 shoulder bolt		3
19	BE0003	M8 washer	DIN 125-1A	8
20	E07350	Lever 1		1
21	BE0193	M8x35 inbus bolt	DIN 912	1
22	E07351	Lever 2		1
23	E07352	Lever 3		1
24	BE0647	M8x90 inbus bolt	DIN 912	2
25	E07353	Machine support		1
26	BE0004	M10 washer	DIN 125-1A	2
27	BE0443	M10x25 inbus bolt	DIN 912	2
28				



Item	Part number	Description	Remarks	Qty.
29	009425	Plug 16A with phase inverter		1
30	BE0020	M6x20 inbus bolt	DIN 912	2
31	999-9159	Pipe clamp 12mm (set)		1
32	E07335	Swing arm for BG-250		1
33	E04734	Hose clamp		2
34	BE0669	M12x37x3 washer	DIN 9021	3
35	BE0073	M12 lock nut	DIN 985	1
36	BE0200	M12x45 inbus bolt	DIN 912	1
37	E06994	Fast locking pin with nut		1
38	005014	76mm hose		1m
39	BG11765-1	Bolt for wheel		2
40	BE0308	M24 washer	DIN 125-1A	2
41	E07289	Wheel		2
42	BE0335	Shim 25x35x0.5	DIN 988	6
43	BE0126	M12 washer	DIN 125-1A	2
44	BE0037	M12x30 hexagon bolt	DIN 933	2

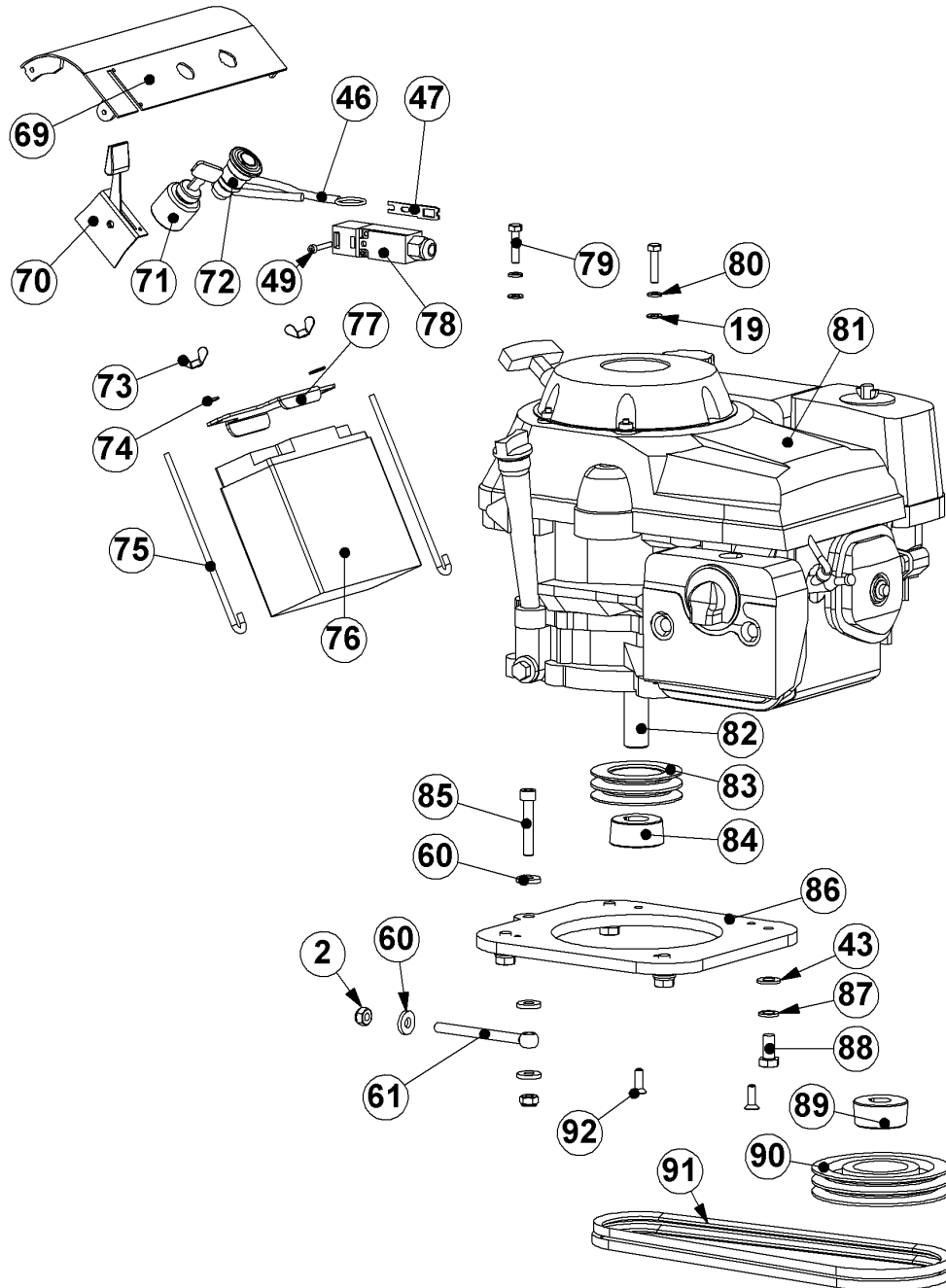




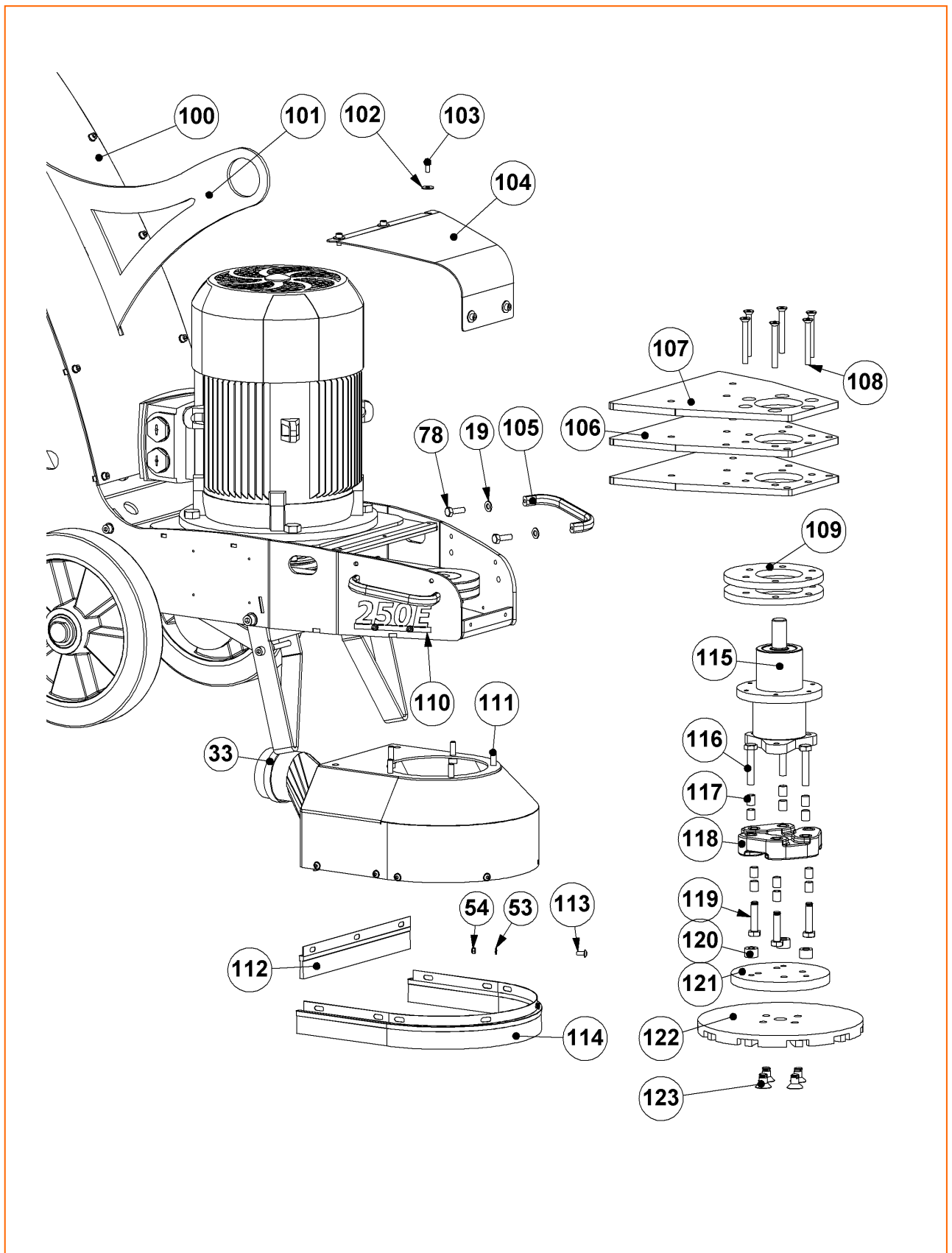
Item	Part number	Description	Remarks	Qty.
45	E07357	Top cover		1
46	N/A			
47	N/A			
48	N/A			
49	N/A			
50	P005084	Electrical control panel	230V-60Hz	1
51	BE0183	M5x25 inbus bolt	DIN 912	2
52	E00709	Shock absorbing plate		1
53	BE0317	M5x15x1.2 washer	DIN 9021	2
54	BE0272	M5 lock nut	DIN 985	2
55	BE0670	M14x45 hexagon bolt	DIN 933	4
56				
57	CP-10389	Motor 230V/60Hz /		1
58	DG12	Motor pulley	60Hz	1
59	06300025	Motor taperlock		1
60	BE0671	M10x50 countersunk screw	DIN 7991	1
61	BE0013	M10x25x4 heavy washer	DIN 7349	3
62	BE0672	M10x120 eye bolt	DIN 444LB	1
63	CP-10404	Drive belt	60Hz	2
64	E08738	Motor plate		1
65	BE0121	M14 washer	DIN 125-1A	4
66	BE0120	M14 lock nut	DIN 985	4
67	CP-10403	Bearinghouse taperlock		1
68	CP-10402	Bearinghouse pulley		1

**For more information about the electrical parts and their part numbers, see electric schedule in back of the service manual.**





Item	Part number	Description	Remarks	Qty.
69	E07390	Top cover BGP		1
70	E07396/6	Gas throttle including cable		1
71	E07396/4	Contact switch		1
72	E07396/5	Emergency stop button complete		1
	E07396/8	Contact block	NO	1
73	BE0292	M6 wing nut	DIN 315	2
74	BE0022	M6x18x1.6 washer	DIN 9021	2
75	E07467	J-hook for battery		2
76	E07396/1	12V battery		1
77	E07205	Mounting bracket battery		1
78	E07466	Deadman switch for P-versions	NO/NC	1
79	BE0015	M8x35 hexagon bolt	DIN 933	2
80	BE0005	M8 spring washer	DIN 127B	2
81	P003649	13HP Honda gas motor		1
82	E04750	Key for Honda motor		1
83	DG14	Motor pulley		1
84	E03188	Motor taperlock		1
85	BE0197	M10x60 inbus bolt	DIN 912	1
86	E08738	Motor plate		1
87	BE0027	M12 spring lock washer	DIN 127B	4
88	BE0372	M12x25 hexagon bolt	DIN 933	4
89	DG13	Bearinghouse taperlock		1
90	DG12	Bearinghouse pulley		1
91	DG16	Drive belt		2
92	BE0663	3/8 x 1" hexagon bolt		2
	E07396/7	Cable loom for BG-20P		1
	333-3573	Fuse 10A		1
46	BG11758	Cord for deadman switch		1
47	BG11759	Key for deadman switch		1
49	BE0184	M5x30 inbus bolt	DIN 912	2

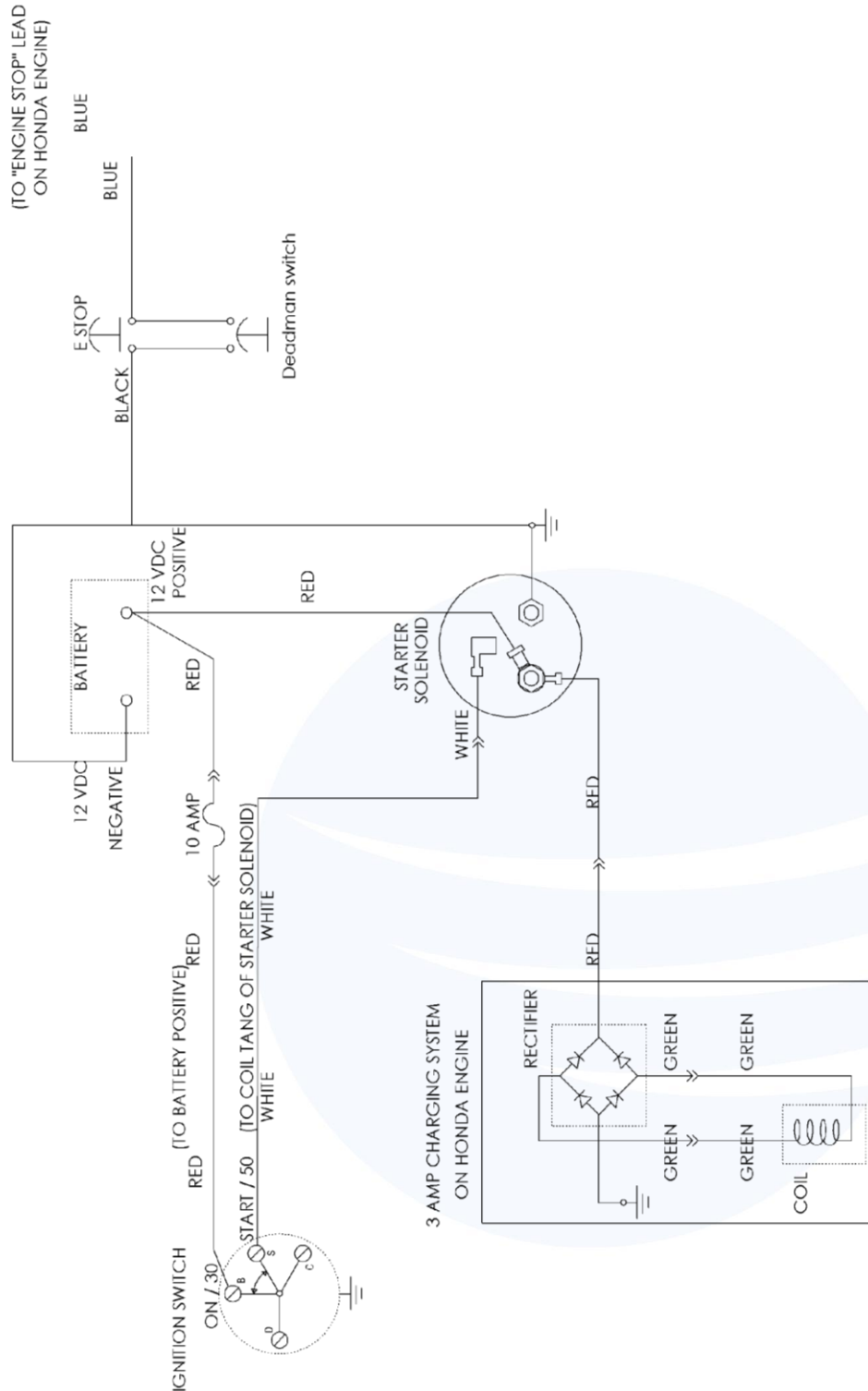


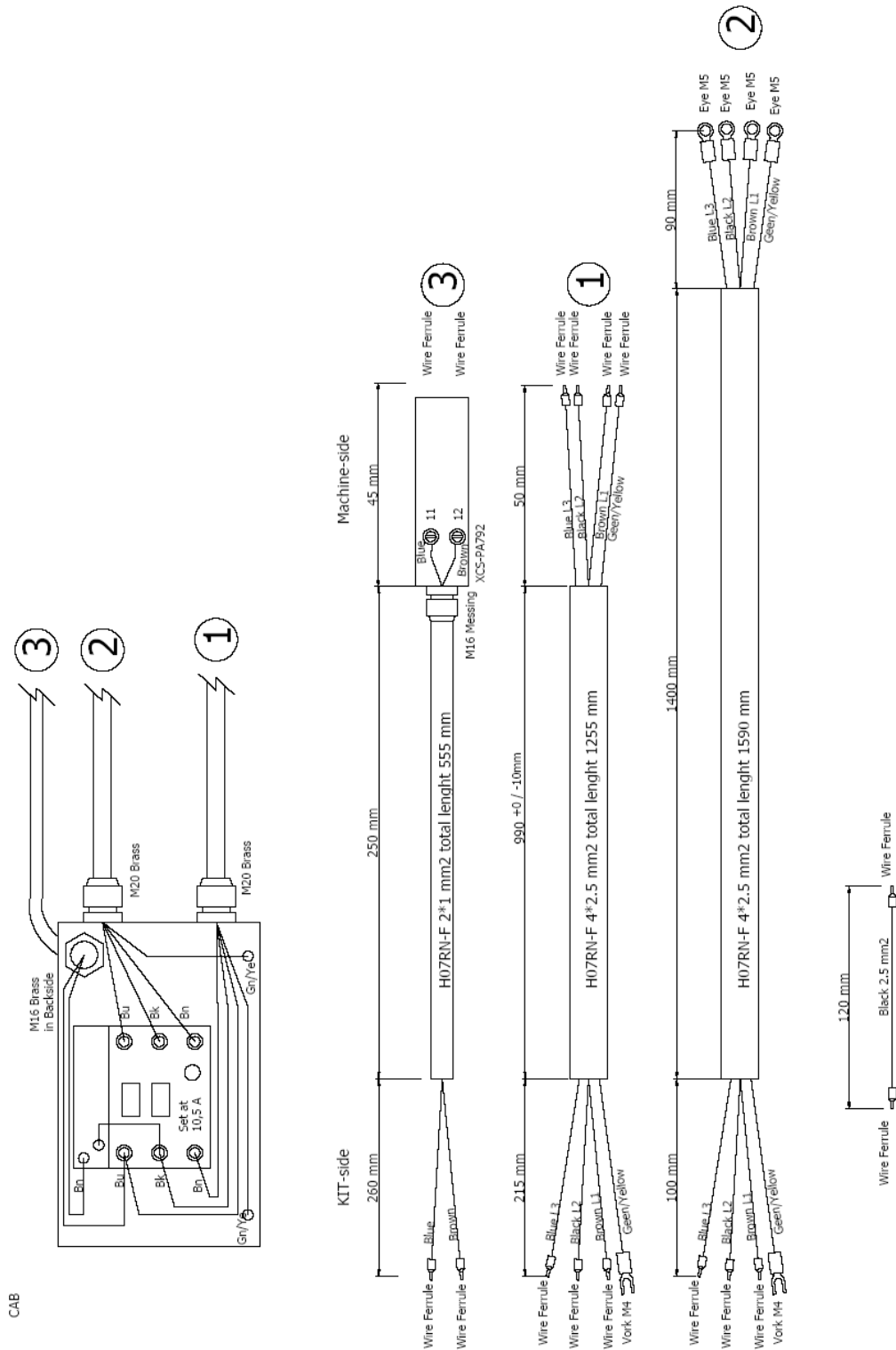
Item	Part number	Description	Remarks	Qty.
100	E07336-BL	Front plate blue		1
101	E07288	Frame BG-250		1
102	BE0022	M6x18x1,6 washer	DIN 9021	5
103	BE0187	M6x12 inbus bolt	DIN 912	5
104	E07345-BL	Front cover blue		1
105	970385	Lifting handle		2
106	E07340	Weight plate		2
107	E07377	Top weight plate		1
108	BE0673	M8x70 countersunk screw	DIN 7991	6
109	E07339	Fill up plate		2
110	E07382-BL	250E logo blue		2
	E07383-BL	250P logo blue		2
111	BE0012	M8x25 inbus	DIN 912	7
112	E07379	Brush seal back		1
113	BE0668	M5x12 hex socket button head scr		11
114	E07378	Brush seal front		1
115	DG10-1	Bearing unit		1
116	BE0399	M10x55 bolt	DIN 931	3
117	000118-3/bush	Bushes for flexible coupling		12
118	000118-3	Heavy duty flexible coupling		1
119	BE0398	M10x45 bolt	DIN 931	3
120	B20507	Coupling spacer bush		3
121	DG05-1	Adapter diamond disc		1
122		Grinding tool		
123	BE0099	M12x20 countersunk screw	DIN 7991	4

## 2. Electric schedules

Electric circuit diagram E07396/7

BG-250G – 13HP



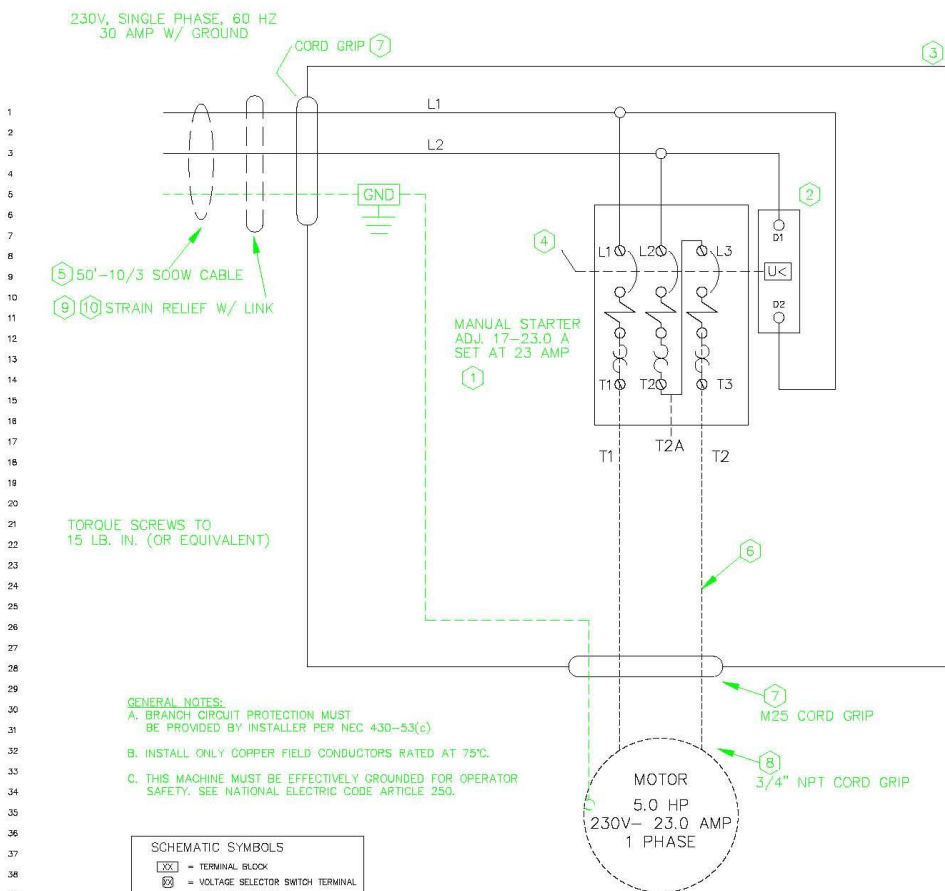


Plug diagram

function text	Cable name	cable type	Strip designation 10X1				Connection point	Target designation	Plug designation	jumper	device connection point	Target designation	Connection point	Cable name	cable type	Page / column
			1	2	3	4										
Power Supply 400Vac			1001	1001	1001	1001	L1				1001	L1			10.1	
=			1001				L2				1001	L2			10.1	
=			1001				L3				1001	L3			10.1	
=							PE	4			1001	PE			10.1	

## BG-E 250 VER 2 CONTROL PANEL FOR 230V/60Hz 1 PHASE

TOTAL FLA	LARGEST MOTOR FLA	SUPPLY VOLTAGE
23.0 AMPS	23.0 AMPS	230V
PHASE - 1	ENCLOSURE - TYPE 1	
HERTZ - 60	MODEL - BG-E 250/1 VER 2	
MAX. BRANCH CIRCUIT PROTECTION	30 AMPS	
SHORT CIRCUIT CURRENT:	10 kA RMS SYMMETRICAL, 230 V MAXIMUM	



- GENERAL NOTES:**
- A. BRANCH CIRCUIT PROTECTION MUST BE PROVIDED BY INSTALLER PER NEC 430-53(c).
  - B. INSTALL ONLY COPPER FIELD CONDUCTORS RATED AT 75°C.
  - C. THIS MACHINE MUST BE EFFECTIVELY GROUNDED FOR OPERATOR SAFETY. SEE NATIONAL ELECTRIC CODE ARTICLE 250.

**SCHEMATIC SYMBOLS**

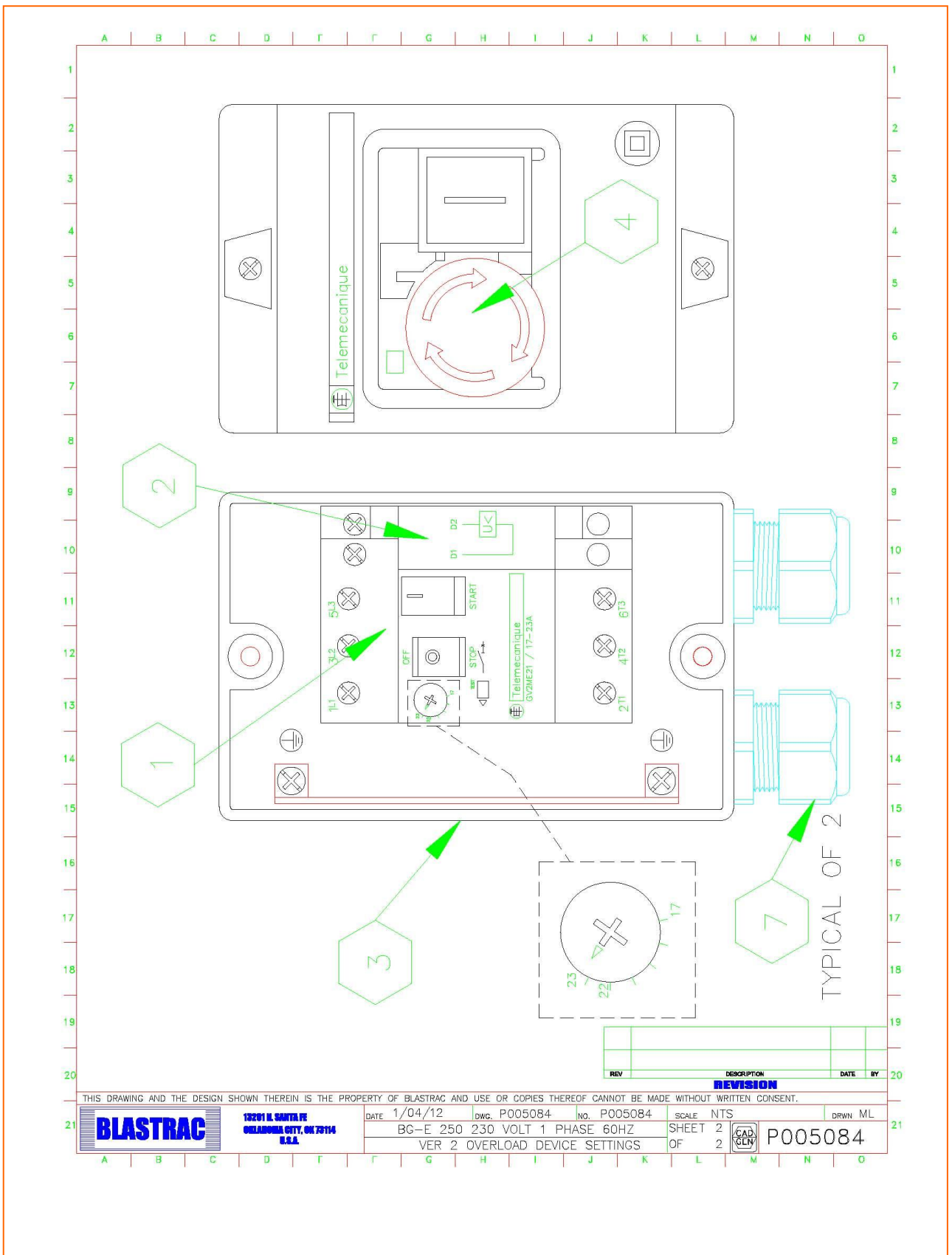
- = TERMINAL BLOCK
- = VOLTAGE SELECTOR SWITCH TERMINAL
- = ELECTRICAL JUNCTION
- = COMPONENT TERMINAL AND NUMBER
- = WIRE NUMBER
- = WIRE COLOR AND AWG
- = PLUG/RECP TERMINAL NUMBER
- = PUSH TO TEST PILOT LIGHT
- = WIRE EXTERNAL TO ENCLOSURE

REV	DESCRIPTION	DATE	BY
<b>REVISION</b>			

THIS DRAWING AND THE DESIGN SHOWN THEREIN IS THE PROPERTY OF BLASTRAC AND USE OR COPIES THEREOF CANNOT BE MADE WITHOUT WRITTEN CONSENT.

	13201 N. SANTA FE OKLAHOMA CITY, OK 73114 U.S.A.	DATE 1/04/12	DWG. P005084	NO. P005084	SCALE NTS	DRWN. ML
		BG-E 250 230 VOLT 1 PHASE 60 Hz. VER 2 SCHEMATIC			SHEET 2 OF 2	





ITEM NO	QTY	P/N	DESCRIPTION
1	1	P003744	MOTOR PROTECTOR, 17-23 AMPS
2	1	P003745	UNDERVOLTAGE TRIP, 230 VAC 60 Hz (WAS GVAU226 - DETERMINATION TO USE LOWER VOLTAGE TRIP WAS MADE 11/29/2006 TO AVOID TRIPS CAUSED BY LOW VOLTAGE)
3	1	P003741	SURFACE MOUNT ENCLOSURE
4	1	P003740	MUSHROOM HEAD STOP BUTTON, TWIST RELEASE
5	50	P002254	WIRE, 10AWG, 3 CONDUCTOR TYPE SO
6	5	P003748	WIRE, 10/3 TYPE SOOW CORD - 5' SECTION, .655
7	2	P003739	CORD GRIP M25, .70 MAX DIA W/ LOCK NUT, ALTECH PN 5308943/7211977
8	1	P003097	CORD GRIP, 3/4" W/LOCK NUT, .35 - .7" CABLE DIA
9	1	714657	STRAIN RELIEF, DOUBLE EYELET, .75 CORD DIA
10	1	P000329	LINK, QUICK, 5/16, CLIP CLOSURE

**Blastrac**

13201 North Santa Fe Avenue

Oklahoma City, OK 73114

Tel: 800-256-3440

Fax: 405-478-8608

[www.Blastrac.com](http://www.Blastrac.com)

